

SPECIFICATIONS: FK 2020

FK 2020 is a Functional Keyboard including Trackball, Scroll Wheel. The compact, feature rich design makes it a good solution for any kind of vessel. The FK 2020 has the option of Deck Mounting or Flush Mount. It is type-approved according to IMO regulations.



STANDARDS COMPLIANCE

FK 2020 conforms to the following standards:

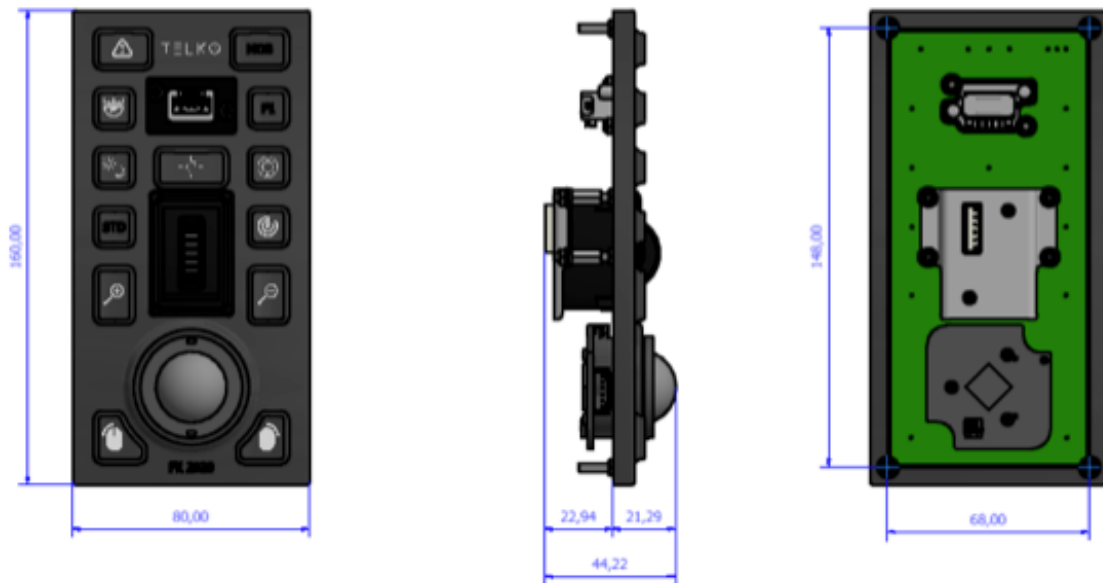
Marine Equipment Directive 2014/90/EU of the EC council.

IEC Standards	Environmental testing – IEC 60945 (2002)
----------------------	--

GENERAL SPECIFICATIONS

Dimensions	160x80mm (outside dimensions rubber overlay)
Mounting	Panel mount, 4 studs for mounting: M3 x 15mm pressed in PCB or in Housing
Cable output	1 USB-cable, length 1.5m
Front	Black rubber overlay. White signs. Telko logo in white colour and backlit.
Backlight	White Dimmable
Trackball	X25-76021D-K (38mm)
Scroll wheel	SWM-761101-8000
USB connector on front	The basic versions will be supplied with “blind” plate (black anodized aluminium) to cover the hole for the Amphenol USB connector. Only for certain applications / customers, Telko will allow the Amphenol USB connector to be installed. This installation will be done by Telko.
IP Protection	IP66 Sealed (From top not incl USB Connector)
Function Keys	F1, Backlight Up/Down, Day/Night, MOB, Conning, Overlay, STD, Auto, Zoom In / Out, Ack Alarm
Designed for the following products	TELchart 2124 – COASTAL E 1624P – COASTAL E 2224P -TECDIS 2128 – TECDIS 2138 – TECDIS 2139C - TECDIS 2424 – TECDIS 2728

Dimensional Drawings



DOCUMENT REVISION HISTORY

1.0	February 21 2020	First release	Jonas Trygg
2.0	June 23 2020	Datasheet update	Bjørn Aarvold